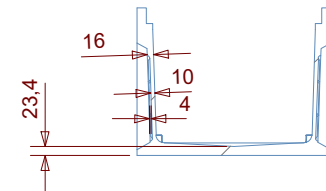
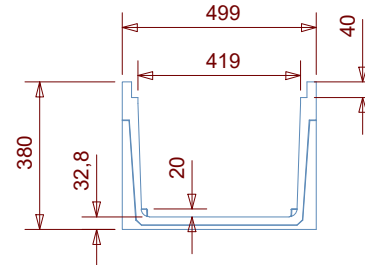
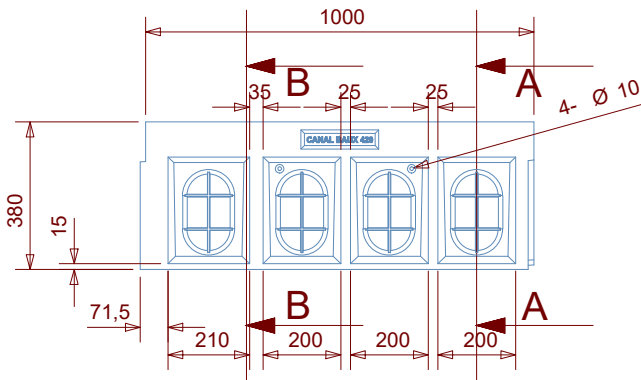
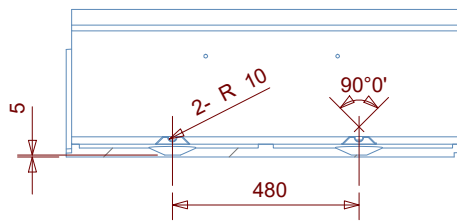


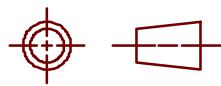
SECTION B-B



SECTION A-A



SECTION C-C



ALL DIMENSIONS IN MM

<b>BAUX</b>		<b>Sistema de Conducción Eléctrica</b>	
FIRST ISSUED	1	TITLE	
DRAWN BY	2	<b>CANAL BAUX 420</b>	
CHECKED BY			
APPROVED BY		SIZE DRG NO.	SHEET REV
		A3 Nevería # 4656, Las Condes, Santiago	A
		SCALE 1:1	SHEET 1 OF 1

A3